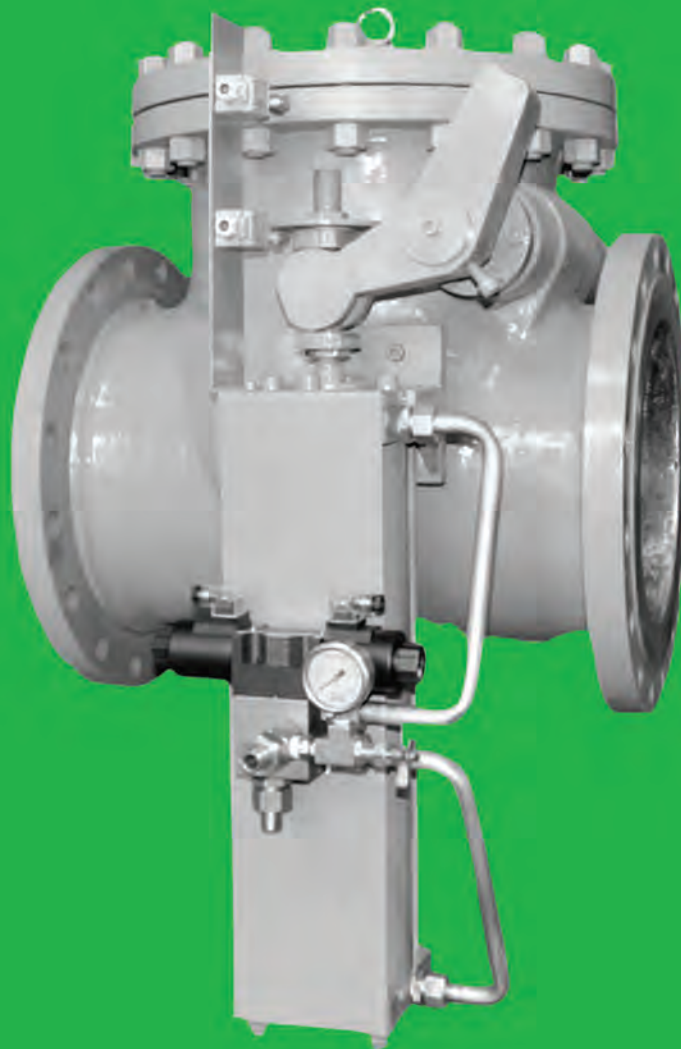


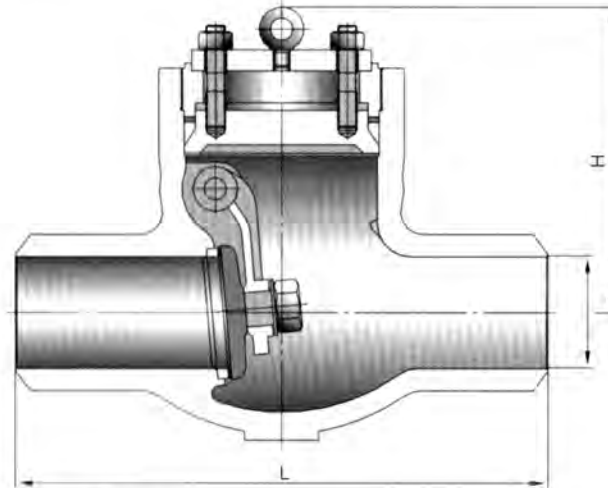
CHECK VALVE (Power Plant Valve Series)

Science and technology is founded up-marketly
sincerity casts brands





Swing type check valve



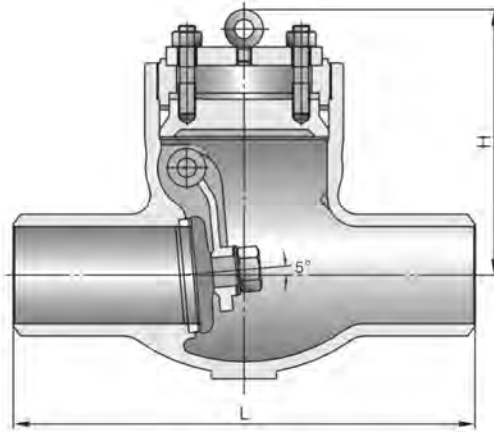
◆ Main size of outside & weight

Model: H64Y-1500Lb, H64Y-2000Lb, H64Y-2500Lb

NPS (in)	1500Lb				2000Lb				2500Lb			
	L	d	H	(kg) Weight	L	d	H	(kg) Weight	L	d	H	(kg) Weight
2½	254	55	282	45	330	50	240	40	-	-	-	-
3	305	64	274	50	368	60	305	60	368	54	297	44
4	406	84	350	80	457	80	315	95	457	70	385	110
5	483	100	425	115	533	96	409	170	533	86	403	168
6	559	126	400	180	610	118	465	186	610	104	455	192
8	711	158	490	270	762	147	528	415	762	130	557	456
10	864	200	540	430	914	180	613	658	914	162	615	730
12	991	250	650	630	1041	222	660	1200	1041	210	715	1120
14	1067	280	710	1400	1118	254	745	1638	1118	234	790	1495
16	-	-	-	-	-	-	-	-	1245	264	815	1950
18	-	-	-	-	-	-	-	-	1397	304	815	2400



Swing type check valve



Class600, 900, 1500, 2500

◆ Main size of outside & weight

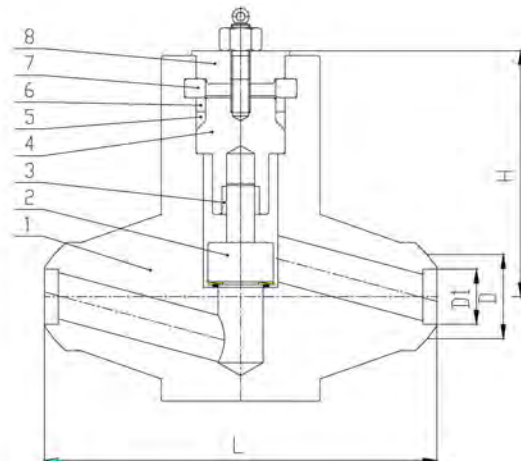
Model: (Ps)H64H, (Ps)H64Y

Class	DN (mm)	NPS (in)	Dimensions (mm)		Weight (kg)
			L	H	
600	50	2	292	225	29
	65	2 1/2	330	240	35
	80	3	356	254	48
	100	4	432	279	67
	150	6	559	368	110
	200	8	660	393	205
	250	10	787	457	325
	300	12	838	584	480
	350	14	889	609	600
	400	16	991	685	800
	450	18	1092	736	1490
	500	20	1194	762	1675
900	600	24	1397	889	2300
	50	2	368	225	48
	65	2 1/2	419	240	65
	80	3	381	254	70
	100	4	457	279	100
	150	6	610	381	245
	200	8	737	533	425
	250	10	838	558	675
	300	12	965	609	900
	350	14	1029	736	1125
	400	16	1130	762	1600
	450	18	1219	863	2000
500	20	1321	939	2700	
600	24	1549	1066	3500	

Class	DN (mm)	NPS (in)	Dimensions (mm)		Weight (kg)
			L	H	
1500	50	2	368	225	48
	65	2 1/2	419	240	65
	80	3	470	254	90
	100	4	546	279	115
	150	6	705	405	250
	200	8	832	567	470
	250	10	991	585	800
	300	12	1130	630	1350
	350	14	1257	750	1800
	400	16	1384	787	2200
	450	18	1537	885	2600
	500	20	1664	960	2700
2500	600	24	1943	1120	4100
	50	2	451	225	80
	65	2 1/2	508	249	102
	80	3	578	254	120
	100	4	673	279	220
	150	6	914	420	540
	200	8	1022	570	920
	250	10	1270	1010	1692
	300	12	1422	1160	2296



Forged steel check valve



◆ Technical specification

Design standard		ANSI B16.34	DIN3356
Structural length	Welded connection	ASME B16.10	DIN3202
Pressure and temperature		ASME B16.34	
Test&inspection		API598	DIN3230
Weld the slope mouth		ASME B16.25	DIN 3239
Flanged ends		ASME B16.5	DIN2543-2549

◆ Major parts material from

NO.	Part name	Material
1	Body	A105, F304, F316, F304L, F316L, F321, F11, F22, F9, F5
2	Disc	A105, F304, F316, F304L, F316L, F321, F11, F22, F9, F5
3	Bushing	H2
4	Floating bonnet	A105, F304, F316, F304L, F316L, F321, F11, F22, F9, F5
5	Self-sealing gasket	A105, F304, F316, F304L, F316L, F321, F11, F22, F9, F5
6	Gasket	A105, F304, F316, F304L, F316L, F321, F11, F22, F9, F5
7	Four-piece ring	A105, F304, F316, F304L, F316L, F321, F11, F22, F9, F5
8	Gland	A105, F304, F316, F304L, F316L, F321, F11, F22, F9, F5

Forged steel check valve
◆ Main size of outside & weight

Model:HDTDM-900Lb

NPS (in)	The flange L	H	Inner diameter D1	Auter diameter D	Weight (kg)
1 1/2"	178	170	38	48.3	42
2"	216	200	49	60	68
2 1/2"	254	240	59	73	125
3"	305	272	74	89	165
4"	356	305	97	114	210
5"	432	355	122	141	288
6"	508	390	146	168	389
8"	660	430	194	218	485
10"	787	462	241	273	625
12"	810	593	289	324	875

Model:HDTDM-1500Lb

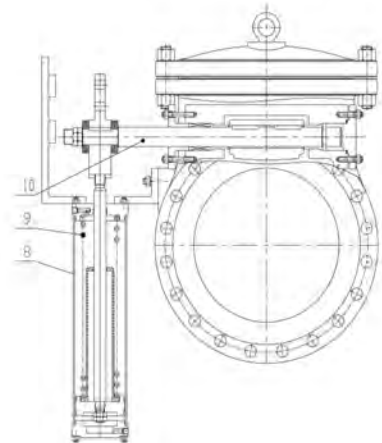
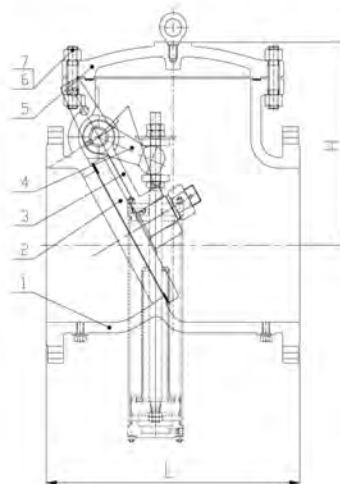
NPS (in)	The flange L	H	Inner diameter D1	Auter diameter D	Weight (kg)
1 1/2"	178	190	34	48.3	48
2"	216	220	43	60	75
2 1/2"	254	265	54	73	145
3"	305	295	67	89	185
4"	406	330	92	114	240
5"	483	370	116	141	310
6"	559	410	140	168	405
8"	711	455	183	219	525
10"	864	490	230	273	680
12"	991	525	273	324	910

Model:HDTDM-2500Lb

NPS (in)	The flange L	H	Inner diameter D1	Auter diameter D	Weight (kg)
1 1/2"	232	230	34	48.3	65
2"	279	250	43	60	75
2 1/2"	330	298	54	73	98
3"	368	325	67	89	240
4"	457	365	87	114	310
5"	533	403	110	141	410
6"	610	445	132	168	540
8"	762	490	173	219	720
10"	914	530	216	273	960
12"	1041	605	257	324	1245



Fast closing steam check valve



◆ **Technical specification**

Design standard		API600	DIN3356
Structural length	Welded connection	ASME B16.10	DIN3202
Pressure and temperature		ASME B16.34	
Test&inspection		API598	DIN3230
Weld the slope mouth		ASME B16.25	DIN 3239
Flanged ends		ASME B16.5	DIN2543-2549

◆ **Major parts material from**

NO.	Part name	Material
1	Body	WCB、 WC1、 WC6、 WC9、 C5
2	Disc	WCB、 WC1、 WC6、 WC9、 C5
3	Rocker	WCB、 WC1、 WC6、 WC9、 C5
4	Force transfer arm	WCB、 WC1、 WC6、 WC9、 C5
5	Bonnet	WCB、 WC1、 WC6、 WC9、 C5
6	Six angle nuts	A194 2H、 A194 7
7	Stud	A193 B7、 A194 B16
8	Cylinder body	Stainless steel
9	Spring	60Si2Mn
10	Stem	A182 F6a 、 A182 F304

Fast closing steam check valve
◆ Main size of outside & weight

Model:HDTDM-150Lb

NPS (in)	The flange L	H1	Weight (kg)
2"	203	135	28
2 1/2"	216	145	35
3"	241	160	41
4"	292	215	58
5"	356	240	90
6"	400	260	135
8"	495	320	180
10"	622	345	260
12"	698	390	360
14"	787	420	500
16"	914	465	600
18"	978	465	820
20"	978	530	985
22"	1067	555	1180
24"	1295	585	1550
26"	1295	620	2100
28"	1448	660	2940
30"	1524	720	4200

Model:HDTDM-300Lb

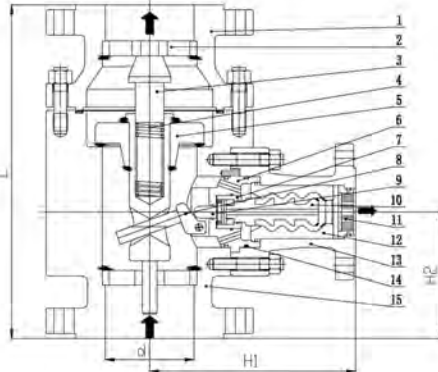
NPS (in)	The flange L	H1	Weight (kg)
2"	267	135	35
2 1/2"	292	145	42
3"	318	160	50
4"	356	215	68
5"	400	240	88
6"	444	260	110
8"	559	320	215
10"	622	345	295
12"	711	390	430

Model:HDTDM-600Lb

NPS (in)	The flange L	H1	Weight (kg)
2"	292	135	49
2 1/2"	330	145	58
3"	356	160	70
4"	432	215	95
5"	508	240	125
6"	559	260	165
8"	660	320	300
10"	787	345	410
12"	838	390	640
14"	889	420	895
16"	991	460	1345
18"	1092	490	2010
20"	1194	530	3015
22"	1295	560	4530
24"	1397	590	6700
26"	1448	620	10200
28"	1600	660	15300
30"	1651	700	22900



Automatic recirculation



◆ **Technical specification**

Design standard		API6D	DIN3356
Structural length	Welded connection	ASME B16.10	DIN3202
Pressure and temperature		ASME B16.34	
Test&inspection		API598	DIN3230
Weld the slope mouth		ASME B16.25	DIN 3239
Flanged ends		ASME B16.5	DIN2543-2549

◆ **Major parts material from**

NO.	Part name	Material
1	Cover	A105 F304 F316 F304L F316L F321 F11 F22 F5 F9
2	Guide bracket	F304 F316 F304L F316L F321
3	Guide bar	F304 F316 F304L F316L F321
4	Spring	F316
5	Disc	F304 F316 F304L F316L F321
6	Overflowing piston	F304 F316 F304L F316L F321
7	Overflowing bushing	F304 F316 F304L F316L F321
8	Control lever	F304 F316 F304L F316L F321
9	Control head	F304 F316 F304L F316L F321
10	Vortex cone	F304 F316 F304L F316L F321
11	Throttling orifice plate	F304 F316 F304L F316L F321
12	Vortex cone casing	F304 F316 F304L F316L F321
13	Bypass valve bonnet	F304 F316 F304L F316L F321
14	"O" Ring	FPM
15	Body	A105 F304 F316 F304L F316L F321 F11 F22 F5 F9

◆ **Main size of outside & weight**

Model:HDTDm-150Lb

NPS (in)	The flange L	Butt welding L	d	H1	H2	Weight (kg)	Bypass NPS (in)
1 1/2"	165	165	40	160	82	20	1"
2"	203	203	50	185	120	30	1"
2 1/2"	216	216	68	225	130	50	1 1/2"
3"	241	241	82	230	138	55	1 1/2"
4"	292	292	100	265	165	103	2"
5"	356	356	125	298	190	155	2"
6"	400	400	150	350	210	203	2 1/2"
8"	495	495	200	435	250	385	3"
10"	622	622	250	515	290	650	4"
12"	698	698	300	625	300	1035	5"
14"	787	787	335	730	350	1500	5"
16"	914	914	390	835	400	2035	6"
18"	978	978	440	950	480	2500	6"
20"	978	978	490	1060	560	3200	8"



Automatic recirculation

Model:HDTDM-300Lb

NPS (in)	The flange L	Butt welding L	d	H1	H2	Weight (kg)	Bypass NPS (in)
1 1/2"	229	229	40	40	160	35	1"
2"	267	267	50	50	185	50	1"
2 1/2"	292	292	68	68	225	70	1 1/2"
3"	318	318	82	82	230	90	1 1/2"
4"	356	356	100	100	265	150	2"
5"	400	400	125	125	298	198	2"
6"	444	444	150	150	350	285	2 1/2"
8"	559	559	200	200	435	510	3"
10"	622	622	250	250	515	773	4"
12"	711	711	300	300	625	1230	5"

Model:HDTDM-600Lb

NPS (in)	The flange L	Butt welding L	d	H1	H2	Weight (kg)	Bypass NPS (in)
1 1/2"	241	241	40	160	82	36	1"
2"	292	292	50	185	120	55	1"
2 1/2"	330	330	68	225	130	75	1 1/2"
3"	356	356	82	230	138	100	1 1/2"
4"	432	432	100	265	165	205	2"
5"	508	508	125	298	190	350	2"
6"	559	457	150	350	210	445	2 1/2"
8"	660	584	200	435	250	750	3"
10"	787	711	250	515	290	1285	4"
12"	838	813	300	625	300	1650	5"
14"	889	889	335	160	82	2100	5"
16"	991	991	390	835	400	2930	6"
18"	1092	1092	440	950	480	3900	6"
20"	1194	1194	490	1060	560	4980	8"

Model:HDTDM-900Lb

NPS (in)	The flange L	Butt welding L	d	H1	H2	Weight (kg)	Bypass NPS (in)
1 1/2"	305	178	35	160	88	62/32	1"
2"	371	216	48	185	135	108/65	1"
2 1/2"	422	254	57	225	145	160/96	1 1/2"
3"	384	305	73	230	155	140/110	1 1/2"
4"	460	356	98	265	185	245/190	2"
5"	562	432	121	298	230	435/330	2"
6"	613	508	146	350	255	560/460	2 1/2"
8"	740	660	190	435	275	1050/895	3"
10"	841	787	238	515	305	1600/1395	4"
12"	968	914	282	625	340	2300/1950	5"
14"	1039	991	311	720	385	2700/2400	5"
16"	1140	1092	355	850	430	3600/3300	6"

Model:HDTDM-1500Lb

NPS (in)	The flange L	Butt welding L	d	H1	H2	Weight (kg)	Bypass NPS (in)
1 1/2"	305	178	35	170	95	65/37	1"
2"	374	216	48	195	148	110/62	1"
2 1/2"	425	254	57	245	160	160/95	1 1/2"
3"	473	305	70	255	170	210/135	1 1/2"
4"	549	406	92	285	195	330/240	2"
5"	676	483	111	315	250	595/420	2"
6"	711	559	136	380	270	695/540	2 1/2"
8"	842	711	178	470	290	1240/1050	3"
10"	1001	864	222	545	330	2150/1850	4"
12"	1146	991	263	665	370	3270/3050	5"
14"	1276	1067	288	770	440	4500/3700	5"
16"	1406	1194	330	890	480	6000/5100	6"