

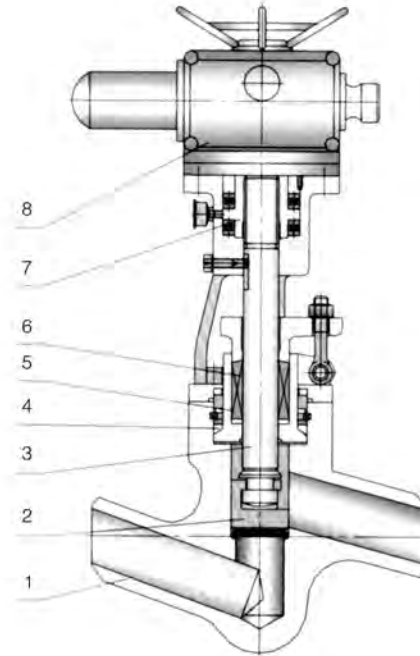
GLOBE VALVE (Power Plant Valve Series)

Science and technology is founded up-marketly
sincerity casts brands





**Globe valve for power station as per
ASNI b16.34**



Technical specification

Design standard		API600 API6D
Structural length	Welded connection	ASME B.16.10
Pressure and temperature		ASME B.16.34
Test & inspection		API 598
Weld the slope mouth		ASME B.16.25

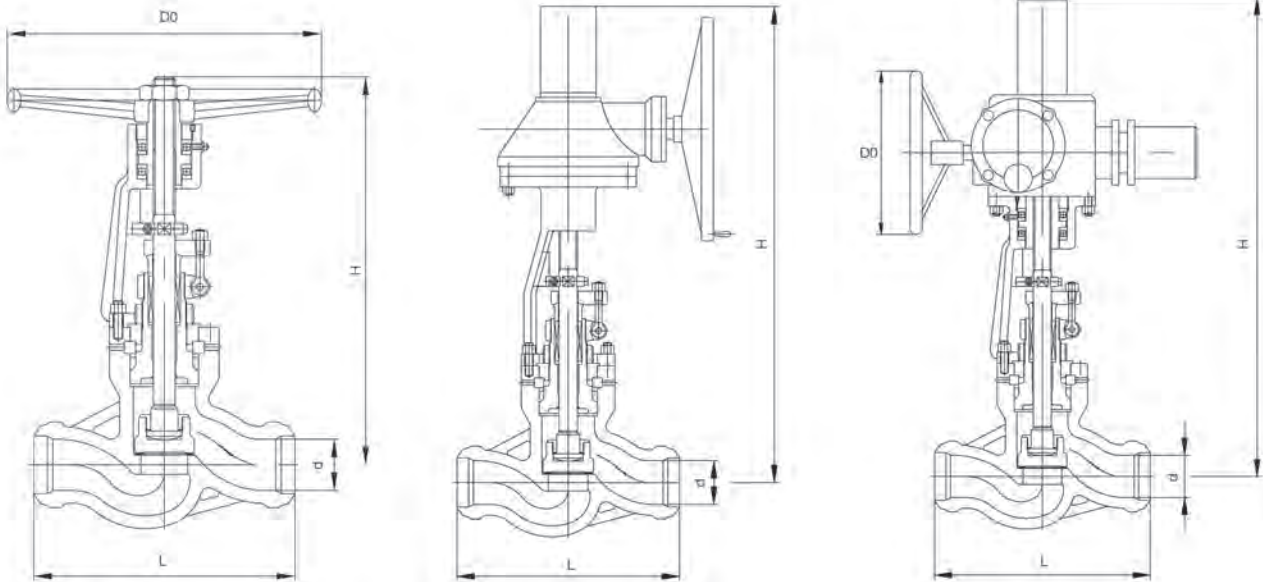
Notes: valve connecting flange and welded groove can be designed and made upon the user requirements.

Major parts material from

No.	Part name	Material
1	Body	WCB, WC1, WC6, WC9, C12
2	Disc	A105, A182-F11, F22, F5, F9
3	Stem	A182-F6a, A182-F22, A182-F11
4	Sealing ring	Graphite
5	Bonnet	WCB, WC1, WC6, WC9, C12
6	Packing	Graphite
7	Valve stem nut	Copper alloy
8	Electronic device	Package



**Globe valve for power station as per
ANSI b16.34**



◆ **Main size of outside & weight**

Model: J61Y-1500Lb, J561Y-1500Lb, J961Y-1500Lb

NPS (in)	L	d	Hand-operated			Geared driving			Geared driving	Electric driving device			Electric driving device
			H	D ₀	(kg) Weight	H	D ₀	(kg) Weight		H	D ₀	(kg) Weight	
3	390	64	848	510	150	-	-	-	-	1030	305	265	SMC-00
4	480	84	910	560	240	-	-	-	-	1070	305	384	SMC-0
5	580	100	1030	610	251	995	460	303	BA-1	1135	457	520	SMC-1
6	630	126	-	-	-	1360	460	680	BA-1	1681	305	804	SMC-1
8	770	158	-	-	-	1500	610	762	BA-2	1860	305	948	SMC-1

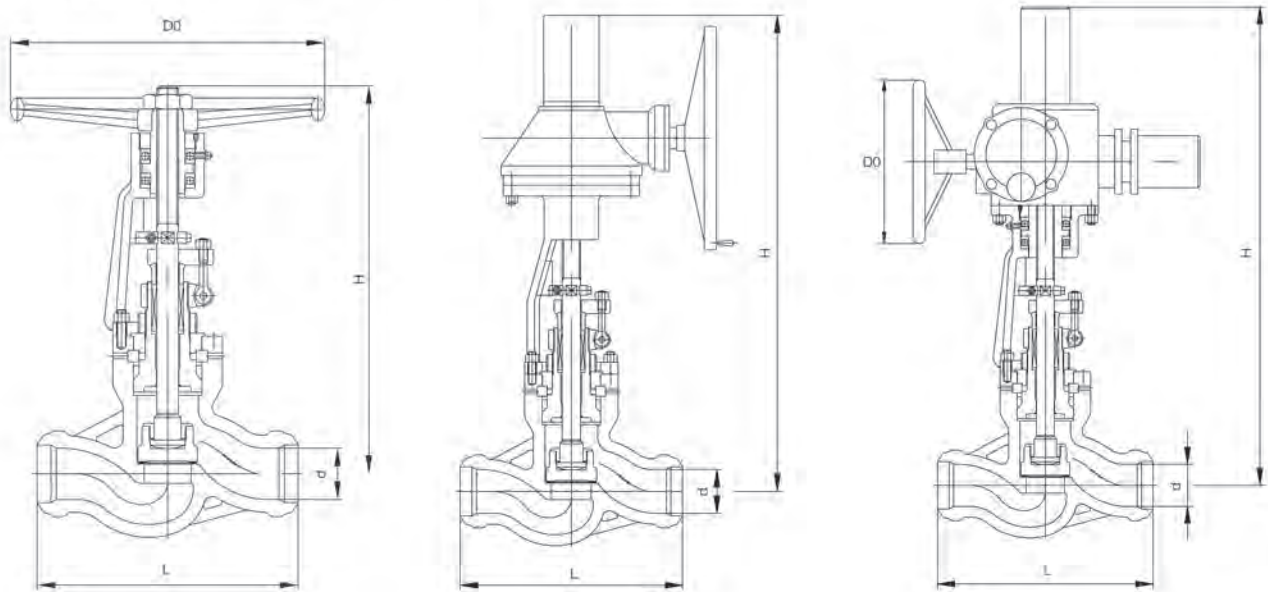
◆ **Main size of outside & weight**

Model: J61Y-2000Lb, J561Y-2000Lb, J961Y-2000Lb

NPS (in)	L	d	Hand-operated			Geared driving			Geared driving	Electric driving device			Electric driving device
			H	D ₀	(kg) Weight	H	D ₀	(kg) Weight		H	D ₀	(kg) Weight	
2½	420	50	815	510	160	-	-	-	-	975	305	340	SMC-0
3	470	60	895	560	200	-	-	-	-	1060	305	388	SMC-0
4	570	80	1024	700	280	1125	460	386	BA-1	1220	305	542	SMC-1
5	660	96	-	-	-	1370	610	460	BA-2	1425	457	646	SMC-2
6	760	118	-	-	-	1430	610	560	BA-2	1480	457	780	SMC-2



**Globe valve for power station as per
ANSI b16.34**



◆ Main size of outside & weight

Model: J61Y-2500Lb, J561Y-2500Lb, J961Y-2500Lb

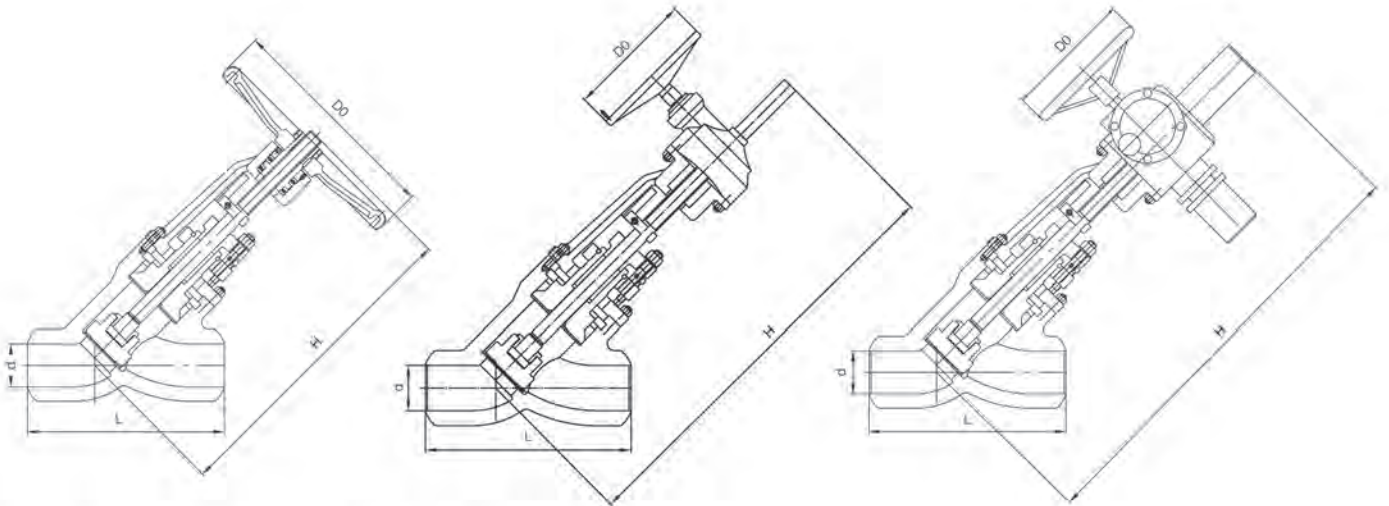
NPS (in)	L	d	Hand-operated			Geared driving			Geared driving	Electric driving device			Electric driving device
			H	D ₀	(kg) Weight	H	D ₀	(kg) Weight		H	D ₀	(kg) Weight	
2 1/2	420	46	857	510	250	-	-	-	-	975	305	390	SMC-0
3	470	54	940	560	290	-	-	-	-	1065	305	430	SMC-0
4	570	70	1085	700	325	1125	460	406	BA-1	1220	305	700	SMC-1
5	660	88	-	-	-	1370	610	505	BA-2	1425	457	772	SMC-2
6	760	104	-	-	-	1430	610	605	BA-2	1480	457	872	SMC-2

◆ Main size of outside & weight

Model: J61Y-3500Lb, J561Y-3500Lb, J961Y-3500Lb

NPS (in)	L	d	Hand-operated			Geared driving			Geared driving	Electric driving device			Electric driving device
			H	D ₀	(kg) Weight	H	D ₀	(kg) Weight		H	D ₀	(kg) Weight	
2 1/2	480	38	890	460	235	-	-	-	-	945	305	342	SMC-00
3	640	48	1030	560	425	1055	310	458	BA-0	1150	305	565	SMC-0
4	762	60	-	-	-	1264	460	641	BA-1	1366	305	810	SMC-0
5	864	74	-	-	-	1435	460	903	BA-1	1530	457	920	SMC-2
6	965	88	-	-	-	1600	760	1050	BA-3	1725	610	1100	SMC-3

**Y-type globe valve for power station
as per ANSI B16.34**



◆ Main size of outside & weight

Model: J65Y-1500Lb, J565Y-1500Lb, J965Y-1500Lb

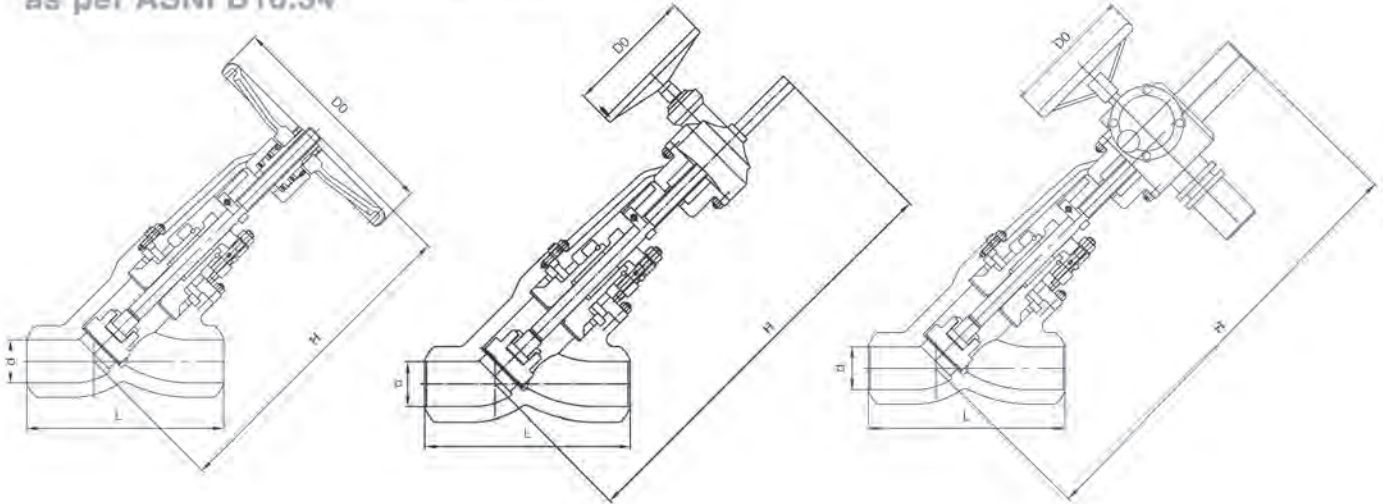
NPS (in)	L	d	Hand-operated			Geared driving			Geared driving	Electric driving device			Electric driving device
			H	D _o	(kg) Weight	H	D _o	(kg) Weight		H	D _o	(kg) Weight	
2½	330	56	670	360	45	-	-	-	-	-	-	-	-
3	368	64	750	460	70	-	-	-	-	990	305	200	SMC-0
4	457	84	830	510	110	-	-	-	-	990	305	310	SMC-1
5	533	100	910	560	129	1100	460	505	BA-1	1115	305	514	SMC-1
6	610	126	1100	610	180	1730	610	520	BA-2	1763	457	534	SMC-2
8	762	158	-	-	-	2010	610	820	BA-2	2026	457	950	SMC-2

◆ Main size of outside & weight

Model: J565Y-2000Lb, J965Y-2000Lb

NPS (in)	L	d	Geared driving			Geared driving	Electric driving device			Electric driving device
			H	D _o	(kg) Weight		H	D _o	(kg) Weight	
4	457	80	870	460	214	BA-1	990	305	327	SMC-1
5	533	96	995	460	303	BA-1	1115	305	408	SMC-1
6	610	118	1025	610	470	BA-2	1423	457	470	SMC-2
8	762	148	1505	610	980	BA-2	1615	457	1050	SMC-2
10	914	180	1825	760	1280	BA-3	2240	610	1582	SMC-4
12	1041	222	2300	610	2714	B-4-PA-2	2490	610	2340	SMC-4

**Y-type globe valve for power station
as per ANSI B16.34**



Main size of outside & weight

Model: J65Y-2500Lb, J565Y-2500Lb, J965Y-2500Lb

NPS (in)	L	d	Hand-operated			Geared driving			Geared driving	Electric driving device			Electric driving device
			H	D ₀	(kg) Weight	H	D ₀	(kg) Weight		H	D ₀	(kg) Weight	
2	310	38	550	300	42	-	-	-	-	810	305	130	SMC-00
2½	340	46	670	360	72	-	-	-	-	895	305	160	SMC-00
3	390	54	750	460	81	750	310	121	BA-0	995	305	217	SMC-0
4	480	70	830	720	130	870	460	212	BA-1	990	305	337	SMC-1
5	580	86	-	-	-	995	460	312	BA-1	1115	305	432	SMC-1
6	630	104	-	-	-	1205	610	410	BA-2	1280	457	652	SMC-2
8	770	130	-	-	-	1565	610	1060	BA-2	1615	457	1122	SMC-2
10	930	162	-	-	-	1870	760	1380	BA-3	1930	610	1652	SMC-3
12	1060	210	-	-	-	2335	760	2824	B-4-PA-2	2240	610	2862	SMC-4
14	1160	234	-	-	-	2515	760	3624	B-4-PA-2	2420	610	3662	SMC-4

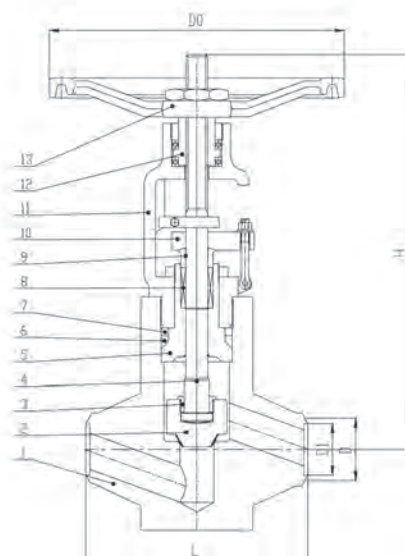
Main size of outside & weight

Model: J565Y-3500Lb, J965Y-3500Lb

NPS (in)	L	d	Geared driving			Geared driving	Electric driving device			Electric driving device
			H	D ₀	(kg) Weight		H	D ₀	(kg) Weight	
3	470	48	817	310	172	BA-0	1005	305	272	SMC-0
4	550	60	930	310	293	BA-0	1133	305	387	SMC-0
5	660	74	1075	460	462	BA-1	1280	305	582	SMC-1
6	790	88	1220	460	727	BA-1	1320	305	847	SMC-1



Forged steel globe valve



Technical specification

Design standard		ANSI B16.34	DIN3356
Structural length	Welded connection	ASME B16.10	DIN3202
Pressure and temperature		ASME B16.34	
Test&inspection		API598	DIN3230
Weld the slope mouth		ASME B16.25	DIN 3239
Flanged ends		ASME B16.5	DIN2543-2549

Major parts material from

NO.	Part name	Material
1	Body	A105、F304、F316、F304L、F316L、F321、F11、F22、F9、F5
2	Disc	A105、F304、F316、F304L、F316L、F321、F11、F22、F9、F5
3	Disc cover	A105、F304、F316、F304L、F316L、F321、F11、F22、F9、F5
4	Stem	A182Gr F6a、A182 F304、F316、F314L、F316L
5	Floating bonnet	A105、F304、F316、F304L、F316L、F321、F11、F22、F9、F5
6	Self-sealing gasket	Flexible graphite+Stainless steel
7	Gasket	A105、F304、F316、F304L、F316L、F321、F11、F22、F9、F5
8	Packing	Flexible graphite+Stainless steel
9	Packing Press-sleeve	A105、F304
10	Packing plate	A105、F304
11	Yoke	WCB、CF8、CF8M、CF3、CF3M、CF8C、WC6、WC9、
12	Valve stem nut	Copper alloy
13	Handwheel	WCB



Forged steel globe valve

◆ **Main size of outside & weight**

Model:HDTDM-900Lb

NPS (in)	The flange L	H	Inner diameter D1	Auter diameter D	Weight (kg)
1 1/2"	178	530	38	48.3	45
2"	216	590	49	60	62
2 1/2"	254	605	59	73	165
3"	305	620	74	89	285
4"	356	690	97	114	340
5"	432	710	122	141	475
6"	508	730	146	168	610
8"	660	750	194	218	805
10"	787	780	241	273	885
12"	810	890	289	324	1280

Model:HDTDM-1500Lb

NPS (in)	The flange L	H	Inner diameter D1	Auter diameter D	Weight (kg)
1 1/2"	178	580	34	48.3	48
2"	216	630	43	60	75
2 1/2"	254	670	54	73	195
3"	305	690	67	89	305
4"	406	720	92	114	390
5"	483	750	116	141	510
6"	559	770	140	168	650
8"	711	820	183	219	850
10"	864	850	230	273	1100
12"	991	890	273	324	1430

Model:HDTDM-2500Lb

NPS (in)	The flange L	H	Inner diameter D1	Auter diameter D	Weight (kg)
1 1/2"	232	610	34	48.3	58
2"	279	650	43	60	90
2 1/2"	330	710	54	73	235
3"	368	740	67	89	365
4"	457	760	87	114	560
5"	533	790	110	141	610
6"	610	820	132	168	780
8"	762	860	173	219	1105
10"	914	900	216	273	1450
12"	1041	950	257	324	1860



ANSI Cast steel glove Valve

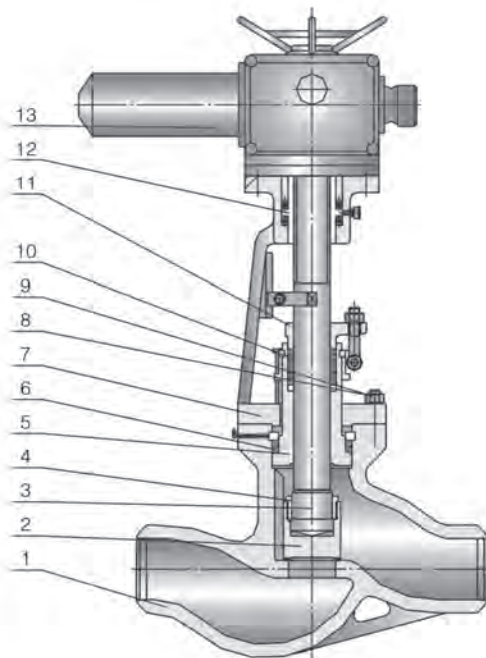
◆ Technical specification

Structural formation	PS-BG-OS&Y
Driving manner	Hand-operated, Gear operated & Electric driving
Design standard	ASME B16.34, BS 1873
Face to face	ASME B16.10
Flanged ends	ASME B16.5
Butt-welding ends	ASME B16.25
Test & inspection	API 598

Note: The sizes of valve connecting flange and butt-welding terminas can be designed according to customer's requirement.

◆ Major parts material form

No.	Part name	Material
1	Body	ASTM A216-WCB ASTM A217-WC1, WC6, WC9, C5 ASTM A351-CF8, CF8M, CF8C, CF3, CF3M
2	Disc	ASTM A182 Gr.F6a, ASTM A182 F22 ASTM A182-F304, F316, F321, F304L, F316L
3	Stem	ASTM A182 Gr.F6a, ASTM A182 F22 ASTM A182-F304, F316, F321, F304L, F316L
4	Flat cover	ASTM A182 Gr.F6a, ASTM A182 F22 ASTM A182-F304, F316, F321, F304L, F316L
5	Bonnet	ASTM A182 Gr.F6a, ASTM A182 F22 ASTM A182-F304, F316, F321, F304L, F316L
6	Gasket	Graphite & stainless steel
7	Yoke	ASTM A216-WCB ASTM A217-WC1, WC6, WC9, C5 ASTM A351-CF8, CF8M, CF8C, CF3, CF3M
8	Stud	ASTM A193-B7, A320-B8, A193-B8M
9	Six angle nuts	ASTM A194-2H, A194-8, A194-8M
10	Packing	Graphite
11	Packing gland	ASTM A216-WCB ASTM A351-CF8, CF8M, CF8C, CF3, CF3M
12	Valve stem nut	Copper alloy
13	Driving	





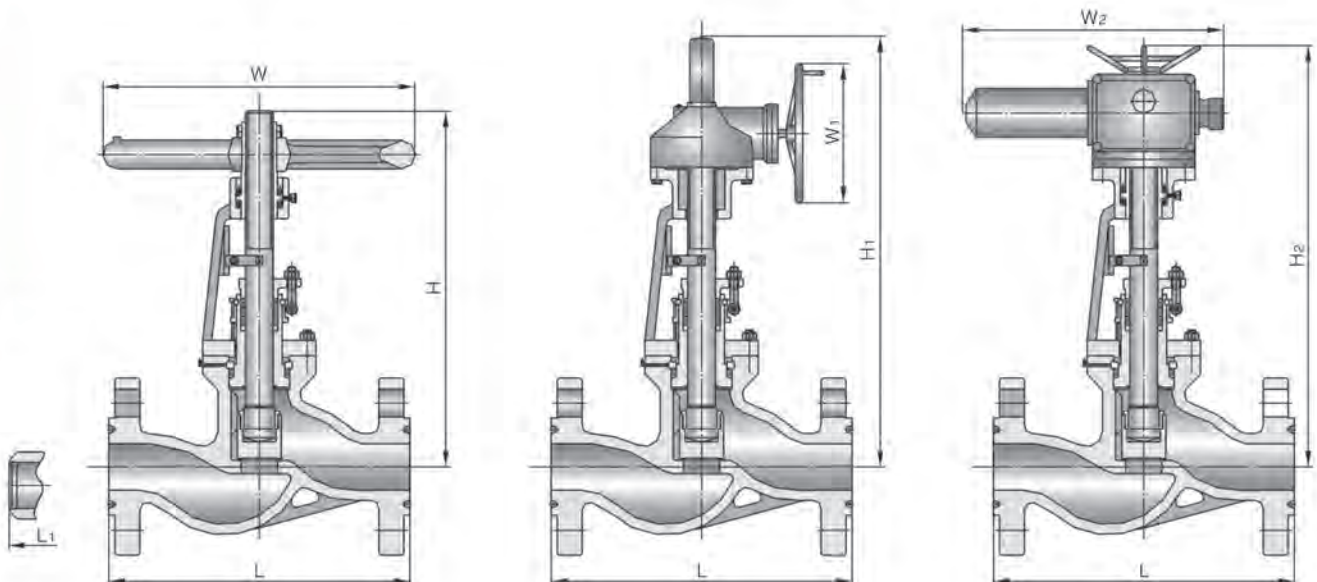
ANSI Cast steel globe Valve

Main size of outside & weight

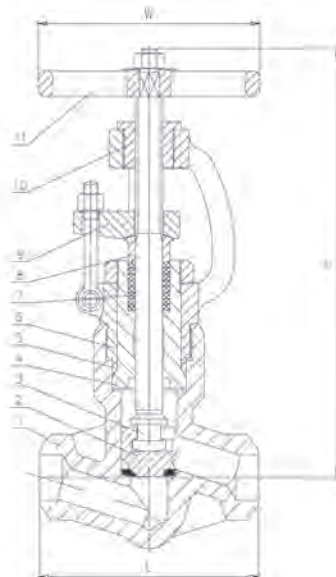
Model: Flanged (RTJ): (Ps)J41H, (Ps)J41Y, (Ps)J541H, (Ps)J541Y, (Ps)J941H, (Ps)J941Y
Butt-welding: (Ps)J61H, (Ps)J61Y, (Ps)J561H, (Ps)J561Y, (Ps)J961H, (Ps)J961Y

Class	Driving				Hand operated			Gear operated				Electric driving			
	DN (mm)	NPS (in)	F.anged L	Butt-welded L1	H	W	Weight (kg)	H ₁	W ₁	Gear device	Weight (kg)	H ₂	W ₂	Torque (NM)	Weight (kg)
900	50	2	371	368	569	320	55	-	-	-	-	-	-	-	-
	65	2 1/2	422	419	569	320	68	-	-	-	-	-	-	-	-
	80	3	384	381	635	350	95	-	-	-	-	-	-	-	-
	100	4	460	457	774	450	160	880	460	BA-1	250	880	809	900	382
	150	6	613	610	1040	600	410	1135	460	BA-1	500	1135	809	1200	635
	200	8	740	737	1330	720	790	1495	610	BA-2	900	1495	863	1800	1155
	250	10	841	838	1560	760	1300	1960	610	BA-2	1200	1960	863	2000	1455
1500	50	2	371	368	535	400	130	-	-	-	-	-	-	-	-
	65	2 1/2	422	419	670	500	175	-	-	-	-	-	-	-	-
	80	3	473	470	838	500	245	-	-	-	-	-	-	-	-
	100	4	549	546	1193	560	350	990	460	BA-1	370	880	809	1200	505
	150	6	711	704	-	-	-	1280	610	BA-2	720	1135	863	1800	855
	200	8	841	831	-	-	-	1615	610	BA-2	1370	1495	863	2500	1628
	250	10	1000	990	-	-	-	2170	610	BA-2	1675	1960	863	2500	1933
2500	50	2	454	451	650	500	180	-	-	-	-	-	-	-	-
	65	2 1/2	514	508	840	560	250	-	-	-	-	-	-	-	-
	80	3	584	578	990	600	350	-	-	-	-	-	-	-	-
	100	4	683	673	1210	680	580	1090	610	BA-2	615	1090	863	1800	870
	150	6	927	814	-	-	-	1470	610	BA-2	990	1470	863	2500	1248
	200	8	1038	1022	-	-	-	1735	610	BA-2	1620	1735	960	3000	2050

Notes: Butt-welding terminas can be chosen according to customer's requirement.



Forged Steel Globe Valve



◆ Technical specification

Structural formation	Bolt-jointed bonnet outside stem yoke structure(Pressure sealed)
Driving manner	Hand-operated
Design standard	ASME B16.34、BS 5352
Thread ends	ASME B1.20.1
Socket welded ends	ASME B16.11
Test & inspection	API 598

Notes:The sizes of valve connecting flange and butt-welding terminas can be designed according to customer's requirement.

◆ Major Parts Material Form

No.	Part name	Material
1	Body	ASTM A105,ASTM A182-F11、F22、F5、F9 ASTM A182-F304、F316、F321、F304L、F316L
2	Disc	ASTM A105,ASTM A182-F11、F22、F5、F9 ASTM A182-F304、F316、F321、F304L、F316L
3	Stem	ASTM A182 Gr.F6a、ASTM A182 F22 ASTM A182-F304、F316、F321、F304L、F316L
4	Floating bonnet	ASTM A105,ASTM A182-F11、F22、F5、F9 ASTM A182-F304、F316、F321、F304L、F316L
5	Self-sealing gasket	Graphite
6	Bonnet	ASTM A105,ASTM A182-F11、F22、F5、F9 ASTM A182-F304、F316、F321、F304L、F316L
7	Packing	ASTM A216-WCB ASTM A351-CF8、CF8M、CF8C、CF3、CF3M
8	Packing press-sleeve	Copper alloy
9	Packing plate	ASTM A47-32510
10	Valve stem nut: Copper alloy	ASTM A47-32510
11	Hand wheel, ASTM A47-32510	ASTM A47-32510

◆ Main size of outside & weight

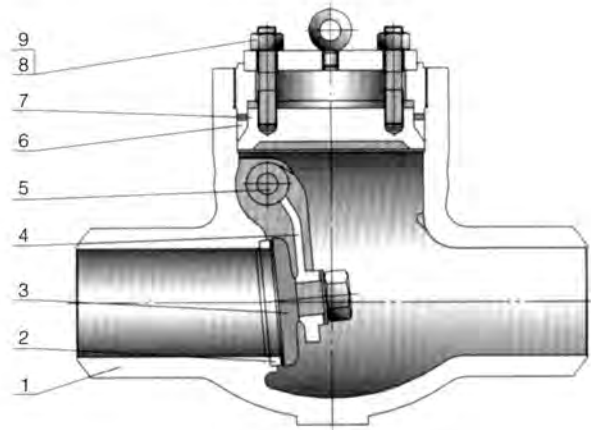
Model: (Hs, Ps)J11H, (Hs, Ps)J11Y, (Hs, Ps)J41H, (Hs, Ps)J41Y, (Hs, Ps)J61H, (Hs, Ps)J61Y

Class	DN(mm)		NPS(in)		Dimensions(mm)			Weight (kg)
	Reducedbore	Full bore	Reducedbore	Full bore	L	H ^o	W	
2500	15	10	1/2	3/8	111	190	125	4.5
	20	15	3/4	1/2	127	225	140	5.5
	25	20	1	3/4	127	246	160	8.0
	32	25	1 1/4	1	180	287	160	13.2
	40	32	1 1/2	1 1/4	180	290	180	12.8
	50	40	2	1 1/2	210	362	200	19.8
			50		2	230	420	240

Notes: H represents the height in full opening condition of valve.



**Y-type globe valve for power station
as per ANSI B16.34**



◆ Technical specification

Design standard		API 6D
Structural length	Welded connection	ASME B.16.10
Pressure and temperature		ASME B.16.34
Test & inspection		API 598
Weld the slope mouth		ASME B.16.25

Notes: valve connecting flange and welded groove can be designed and made upon the user requirements.

◆ Major parts material from

No.	Part name	Material
1	Body	WCB, WC1, WC6, WC9
2	Seat	A105, 25, 15CrMoA, 12CrMoVA
3	Disc	A105, 25, 12CrMoVA
4	Rocker	WCB, WC1, WC6, WC9
5	Sell the post	A105, 25, 15CrMoA, 12CrMoVA
6	Sealing ring	Graphite
7	Bonnet	WCB, WC1, WC6, WC9
8	Stud	35CrMoA, 25Cr2MoV
9	Nut	35CrMoA, 25Cr2MoV