

# Strainer Valve Series

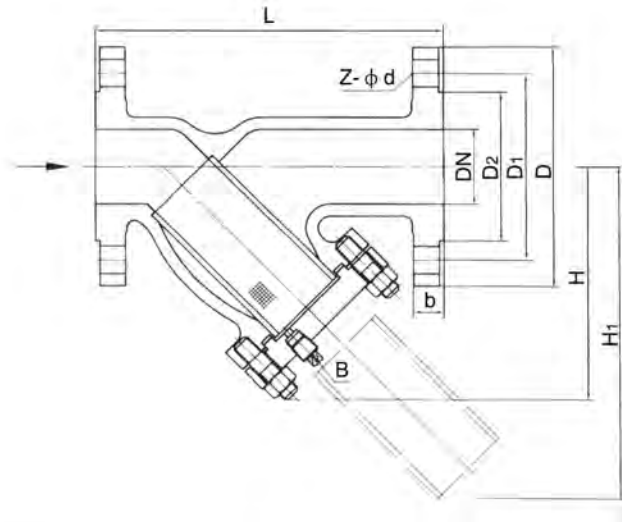
Science and technology is founded up-marketly  
sincerity casts brands







## Y-type Strainer



### ◆ Adoptive standard

Product specification	Design spec	Face to face	Flange end	Test & check
	BSI873	ASME B.16.10 DIN 3202	DIN 2532-2534 ASME B.16.5	DIN 3230 API 598

### ◆ Products Performance Specification

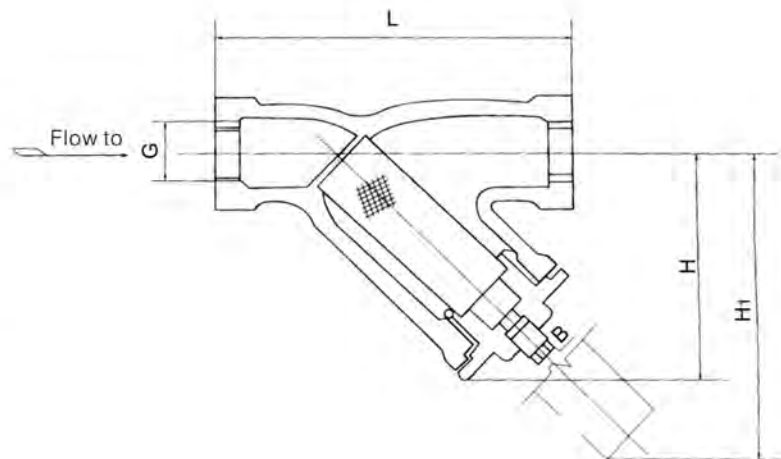
Type	Connection mode	PN(MPa)	(Mpa)	(Mpa)	Shell material	Filter material	The total area of the mesh
SY4P-10	Flange 1.0	1.0	1.1	1.0	Gray cast steel	Stainless steel	3-4DN
SY4P-16	Flange 1.6	1.6	1.76	1.6	Nodular cast steel		
SY4P-25	Flange 2.5	2.5	2.75	2.5	Carbon steel		

### ◆ Material for parts

Part name	Part material					
	25	WCB	CF8	CF8M	CF3	CF3M
Body / Bonnet	25	WCB	CF8	CF8M	CF3	CF3M
Disc / Stem	25	35	1Cr18Ni9Ti	1Cr18Ni12MO2Ti	00Cr18Ni10	00Cr17Ni14Mo2
Strainer	1Cr18Ni9Ti		1Cr18Ni9Ti		00Cr18Ni10	
Gasket	18-8flexible graphite					
Bolt	35		1Cr17Ni2		1Cr18Ni9Ti	
Suitable Temp	-29~+425°C		-40~+200°C		-40~+200°C	
Suitable Medium	water,oil,steam		nitric acid		nitric acid	



## Y-type Strainer



### ◆ Main external and connection dimension

mm

DN	L	G	H	H1	B	strainer area (m <sup>2</sup> )
SY11C-H10 SY11C-H25						
15	100	1/2"	74	99	ZG3/8"	0.00185
20	110	3/4"	88	127	ZG1/2"	0.00281
25	130	1"	103	150	ZG1/2"	0.00343
32	160	1 1/4"	110	163	ZG1/2"	0.00486
40	180	1 1/4"	132	203	ZG1/2"	0.00767
50	200	2"	163	243	ZG1/2"	0.01160

### ◆ Main external and connection dimension

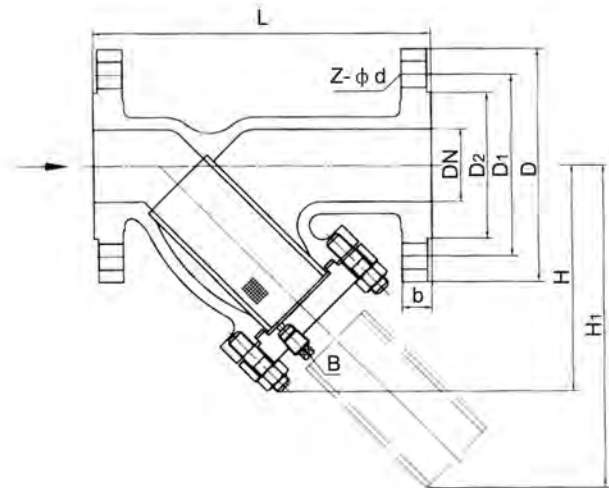
mm

MPS	DN	NPT	L	H	H1	B	strainer area (m <sup>2</sup> )
in	mm						
SY11C-A150							
3/4	15	1/2"	100	74	99	MPT3/8"	0.00185
1/2	20	3/4"	110	88	127	MPT1/2"	0.00281
1	25	1"	130	103	150	MPT1/2"	0.00343
1 1/4	32	1 1/4"	160	110	163	MPT1/2"	0.00486
1 1/2	40	1 1/2"	180	132	203	MPT1/2"	0.00767
2	50	2"	200	163	243	MPT1/2"	0.01160





## Y-type Strainer



### ◆ Main external and connection dimension

mm

DN	L			H			H1		B		strainer area (m <sup>2</sup> )
	SY14C-H10	SY14C-H16	SY14C-H25	SY14C-H40	SY14C-H10	SY14C-H16	SY14C-H25	SY14C-H40			
15		110		87	120		ZG3/8"				0.00185
20		130		105	148		ZG1/2"				0.00281
25		150		114	176		ZG1/2"				0.00343
32		160		124	193		ZG1/2"				0.00486
40		200		156	237		ZG1/2"				0.00767
50		220		181	270		ZG1/2"				0.01160
65		290		250	369		ZG3/4"				0.02111
80		310		280	429		ZG3/4"				0.03029
100		350		320	488		ZG3/4"				0.04033
125		400		374	547		ZG3/4"				0.05589
150		480		430	622		ZG3/4"				0.07709
200		550		515	741		ZG3/4"				0.11967

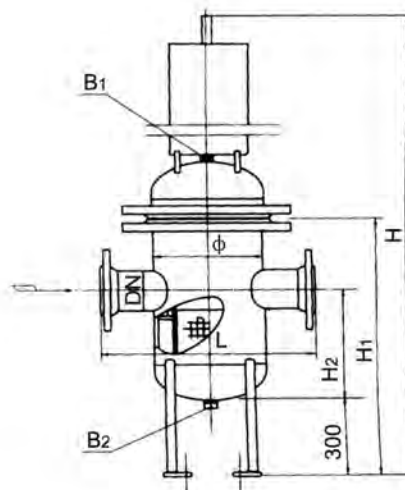
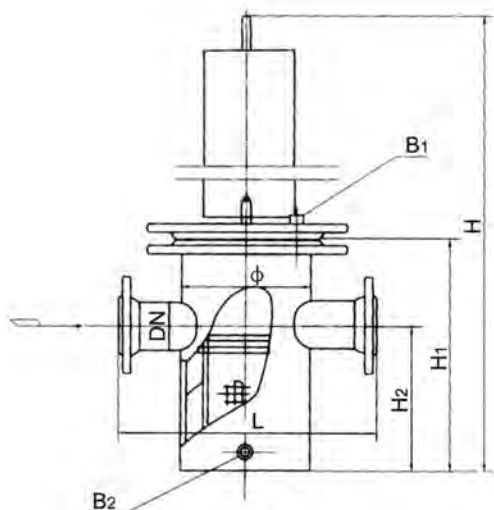
### ◆ Main external and connection dimension

mm

MPS	DN	L	H	H1	B	strainer area (m <sup>2</sup> )
in	mm					
		SY14C-H150	SY14S-H150	SY14C-H300	SY14S-H300	
1/2	15	110	87	120	NPT1/8"	0.00185
3/4	20	130	105	148	NPT1/2"	0.00281
1	25	150	114	176	NPT1/2"	0.00343
1 1/4	32	160	124	193	NPT1/2"	0.00486
1 1/2	40	200	156	237	NPT1/2"	0.00767
2	50	220	181	270	NPT1/2"	0.01160
2 1/2	65	290	259	369	NPT3/4"	0.02111
3	80	310	293	429	NPT3/4"	0.03029
4	100	350	324	488	NPT3/4"	0.04033
5	125	400	390	547	NPT3/4"	0.05589
6	150	480	448	622	NPT3/4"	0.07709
8	200	550	535	741	NPT3/4"	0.11967



## Basket Strainer



### ◆ Main external and connection dimension

mm

DN	L	H	H1	H2	φ	B/blowdown tap			strainer area (m <sup>2</sup> )
						I	II	III	
25	220	520	110	70	76	R1/2"	DN20 RF	DN20 M	0.003619
32	220	525	110	70	76				0.003619
40	280	630	120	100	114				0.005718
50	280	630	120	100	114				0.005178
65	330	750	160	110	140				0.009613
80	340	860	180	140	168				0.01539
100	420	1040	220	170	219	R3/4"	DN20 RF	DN20 M	0.02464
150	500	1375	310	220	273				0.04866
200	560	1560	390	280	325				0.07858
250	660	1770	480	320	426				0.12005
300	750	2000	640	400	478				0.16537

### ◆ Main external and connection dimension

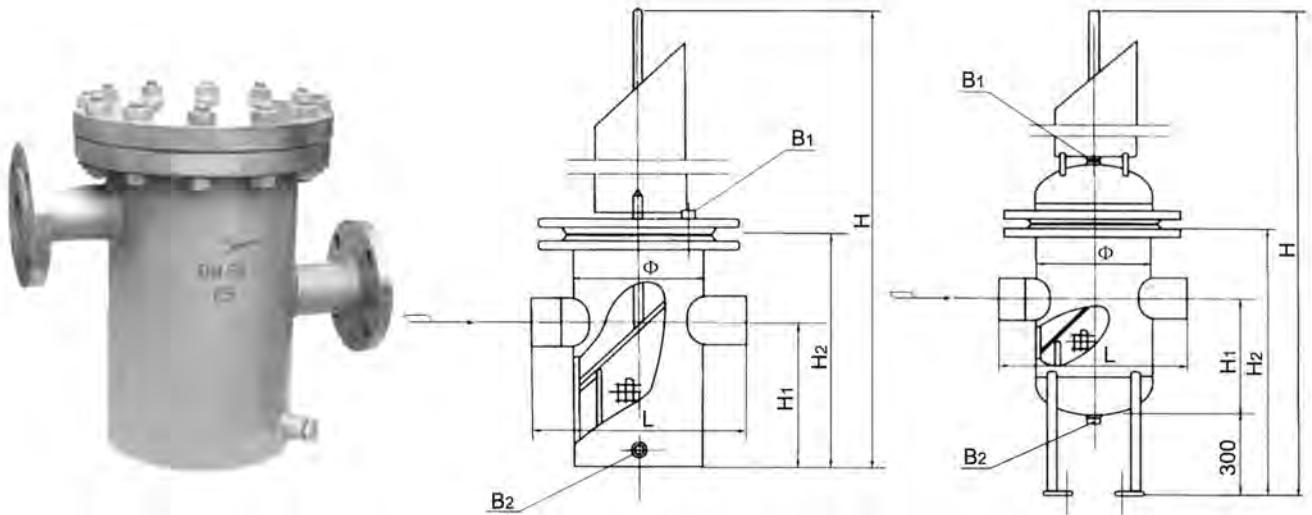
mm

DN	L	H	H1	H2	φ	B/blowdown tap			strainer area (m <sup>2</sup> )
						I	II	III	
200	560	2005	390	280	325	R3/4"	DN20 RF	DN20 M	0.07858
250	660	2320	480	320	426				0.12065
300	750	2870	640	400	480				0.16537
350	800	3305	770	450	500				0.2225
400	840	3675	780	520	550				0.2916
450	960	4070	980	600	600				0.3642
500	1080	4235	1090	650	700				0.4587





## Y-type Strainer



### ◆ Main external and connection dimension

mm

DN	L	H	H1	H2	φ	B/blowdown tap			strainer area (m <sup>2</sup> )	WT (Kg)
						I	II	III		
25	220	480	160	260	76	R1/2"	DN20 RF	DN20 M	0.003619	13.8
32	220	495	160	270	76				0.003619	16.5
40	280	550	180	300	114				0.005718	19
50	280	550	180	300	114				0.005718	23
65	330	650	220	350	140				0.009613	39
80	340	740	260	400	168				0.001539	52
100	420	880	310	470	219	R3/4"	DN20 RF	DN20 M	0.02464	82
150	500	1175	430	620	273				0.04866	208
200	560	1540	530	780	325				0.07858	245
250	660	1890	640	930	426				0.12065	280
300	750	2130	840	1200	478				0.16537	390

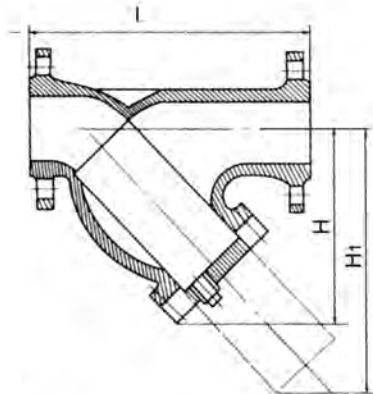
### ◆ Main external and connection dimension

mm

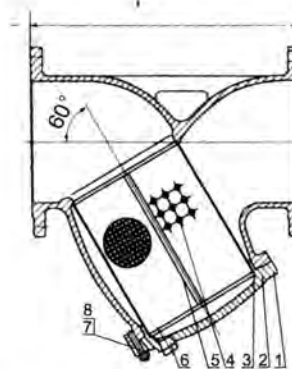
DN	L	H	H1	H2	φ	B/blowdown tap			strainer area (m <sup>2</sup> )	WT (Kg)
						I	II	III		
200	560	1875	540	230	325	R3/4"	DN20 RF	DN20 M	0.07858	303
250	660	2170	650	270	426				0.12065	439
300	750	2690	860	320	480				0.16537	576
350	800	3085	1010	370	500				0.2225	833
400	840	3445	1150	400	550				0.2916	839
450	960	3510	1310	440	600				0.3642	978
500	1080	4145	1440	470	700	R1"	DN20 RF	DN20 M	0.4587	1444



**GB. API Strainer**



Flange connection Y type strainer



Flange connection API Y type strainer

**Main external and connection dimension**

**mm**

Model	Connection type	Nominal pressure	Proof pressure	Working pressure	Shell material	Filter screen	Mesh total area
SY4P-10	Flange 1.0	1.0	1.1	1.0	Gray cast iron	Stainless steel	3~4DN
SY4P-16	Flange 1.6	1.6	1.76	1.6	Spherical cast iron		
SY4P-25	Flange 2.5	2.5	2.75	2.5	Carbon steel		

**Main external and connection dimension**

**mm**

inside nominal diameter	dimensions(mm)					
	L		H		H1	
	screw	flange	screw	flange	screw	flange
65	-	250	-	198	-	270
80	-	280	-	210	-	295
100	-	350	-	250	-	344
125	-	400	-	305	-	422
150	-	440	-	358	-	485
200	-	500	-	450	-	602
250	-	580	-	503	-	710
300	-	670	-	578	-	815

Flange size PN1.0MPa refers to Standard GB4216.4-84 while the size PN1.6MPa refers to Standard GB4216.5-84, besides the size PN2.5MPa referring to Standard GB9113.4-88

**Main external and connection dimension**

**mm**

Type	DN	d	L	O	C	n-Φ	g	t
150Lb	1/2"	130	130	89	60.5	4-15	35	16
	3/4"	139	150	98	70	4-15	43	18
	1"	149	160	108	79.5	4-15	51	18
	1 1/4"	165	180	117	89	4-15	64	18
	1 1/2"	178	200	127	98.5	4-15	73	18
	2"	191	230	152	120.5	4-19	92	20
	2 1/2"	204	290	178	139.5	4-19	105	22
	3"	217	310	190	152.5	4-19	127	24
300Lb	4"	229	350	229	190.5	8-19	157	24
	2 1/4"	133	130	95	66.5	4-15	35	16
	3/4"	142	150	117	82.5	4-19	43	16
	1"	151	160	124	89	4-19	51	18
	1 1/4"	160	180	133	98.5	4-19	64	19
	1 1/2"	169	200	156	114.5	4-22	73	21
	2"	178	230	165	127	8-19	92	23
	2 1/2"	187	290	190	149	8-22	105	26
	3"	196	310	210	168.5	8-22	127	29
	4"	205	350	254	200	8-22	157	32

Note: 1.The design & manufacture accords with MFG standard. 2.The test & inspection accords with API598 3.The Length of structure accords with MFG standard. 4.The flange size accords with the technique requirements of ANSI B16.5